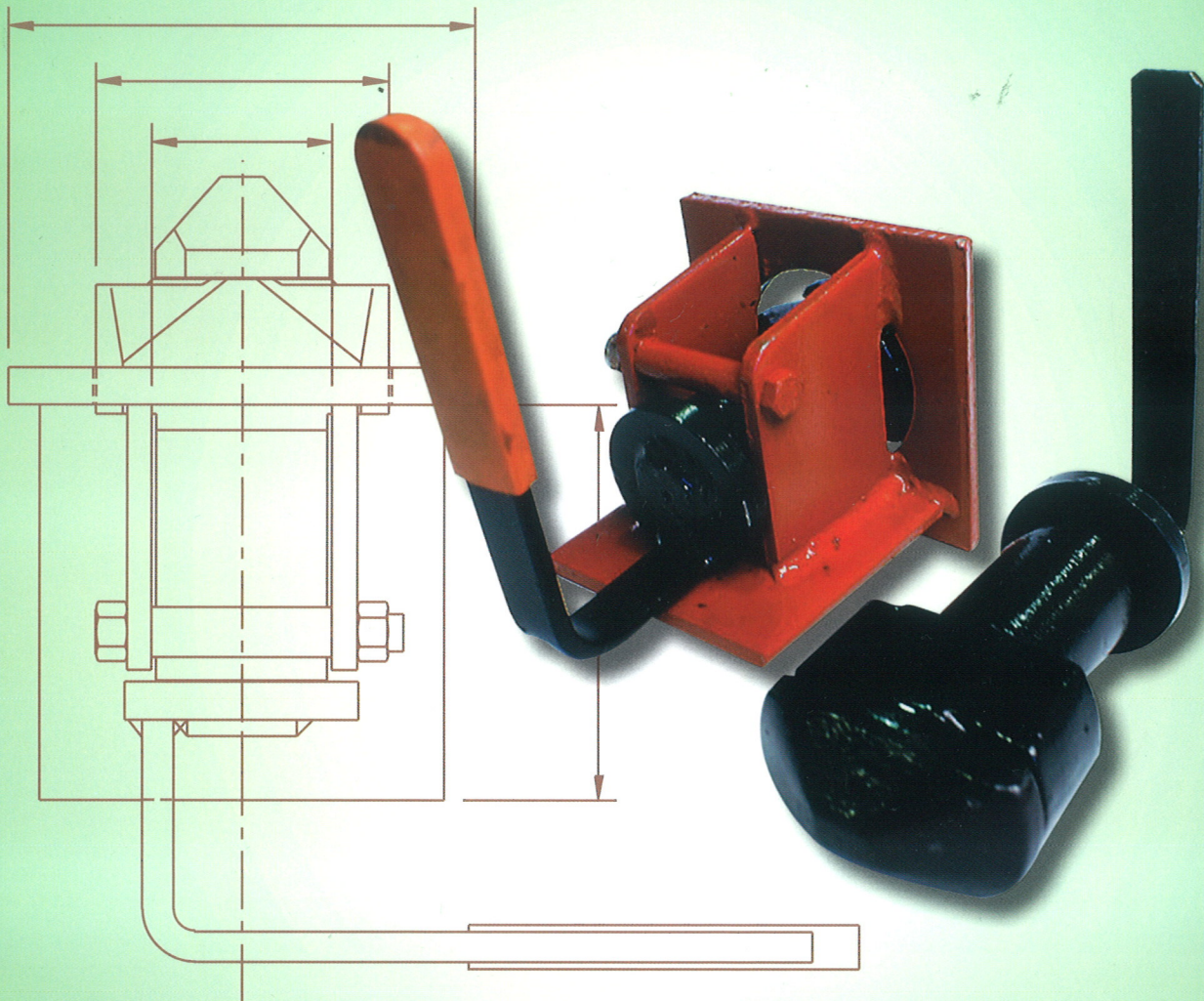


TWIST LOCK



FEATURES OF TWIST LOCKS

1. Forged lock center
2. Casting body
3. Fabricated housing
4. Light weight

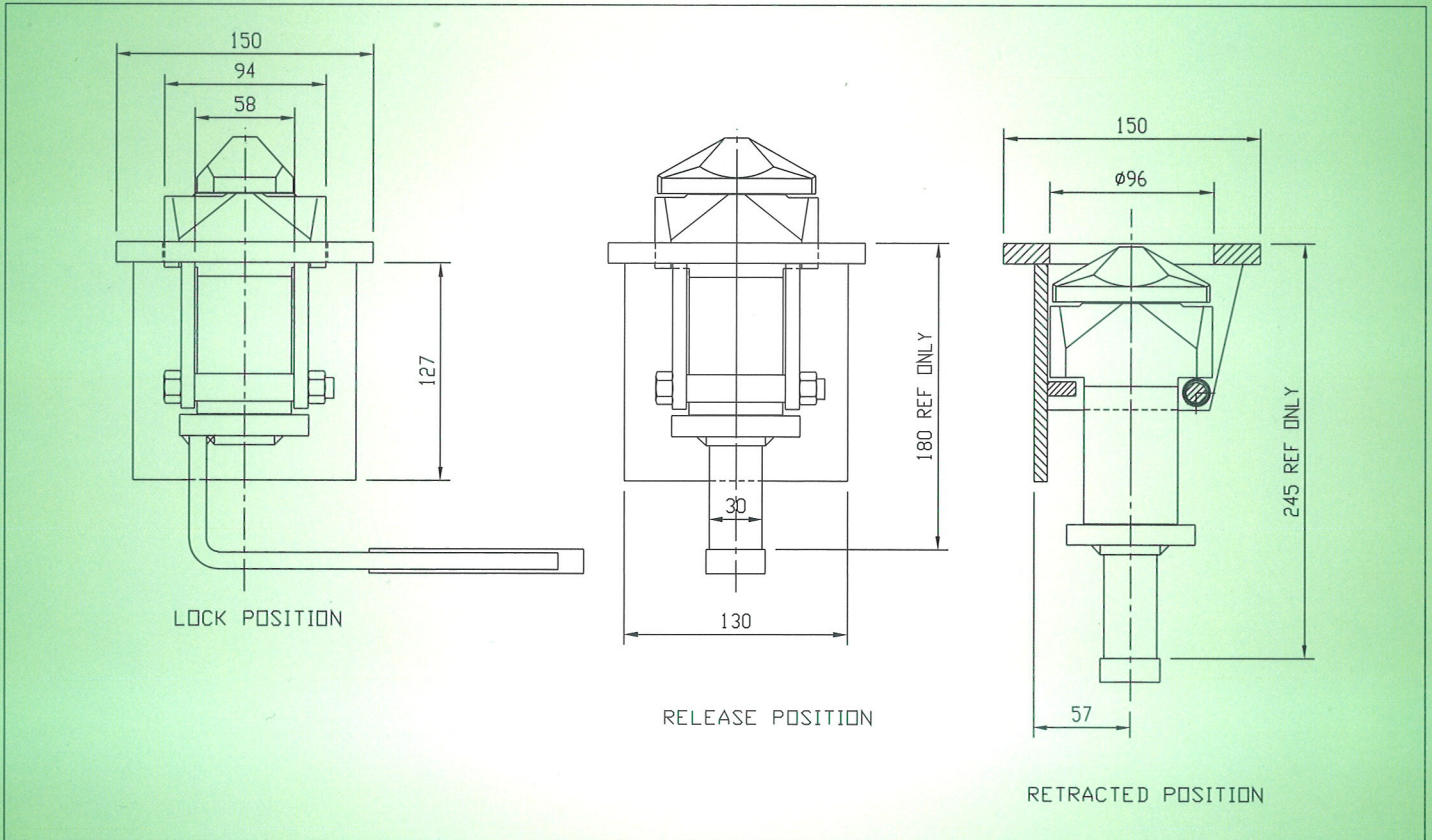
QUALITY TESTS

The products are tested and validated conforming to YORK's standard specification:

- Twist locks are designed and manufactured for container chassis for carrying container as per ISO 1161, 1469-1 with gross weight up to 35,000 kg.

PRODUCT SPECIFICATION

Twist Lock Assembly		
Sr. No.	Specification	Description
1	790034	TWISTLOCK ASSY
2	790034 / 01	TWISTLOCK CENTER



Call York for your trailer axle and suspension needs

York Group Of Companies

Website: www.yorktransport.com

HEAD OFFICE

Singapore

York Transport Equipment (Asia) Pte Ltd

Corporate & Marketing

122 Pioneer Road, Singapore 639583

Tel: (65) 6897 8525 Fax: (65) 6897 8231

Email: enquiry@yorktpt.com.sg

Operations

5 Tuas Avenue 6, Singapore 639295

Tel: (65) 6861 0577 Fax: (65) 6861 4045

Australia

York Transport Equipment (Australia) Pty Ltd

13 Monterey Road, Dandenong, Victoria 3175 Australia

Tel: (03) 9790 2000 Fax: (03) 9790 2020

Website: www.yorktransport.com.au

Thailand

York Sales (Thailand) Co Ltd

2010 M. 1 Old Railway Road. Samrong Nua, Muang, Samutprakam 10270 Thailand

Tel: (66) 2-7435091-2 Fax: (66) 2-1737300

Email: yorkth@ksc.th.com

U.K. (United Kingdom)

YTE Special Products Pte Ltd

5 Scott Close, Market Harborough, Leicestershire LE16 7LN

United Kingdom

Tel: (44) 1858-434425 Fax: (44) 1858-465125

Email: tony@extraxuk.com

China

Qingdao YTE Special Products Co Ltd

No. 18 Huishui Road, Licang District, Qingdao China 266101

Tel: (86) 532-8092 3091 Fax: (86) 532-8092 3080

Email: charles@yorktpt.com.sg

South Africa

YTE Transport Equipment (S.A.) (Pty) Ltd

Tel: (27) 82-376 4552

Email: wbrits@yorktpt.com.sg

India

York Transport Equipment (India) Pte Ltd

MAGNET House, Ground Floor, Narottam Morarji Marg, BALLARD ESTATE, Mumbai - 400001, Maharashtra, India

Tel: (91) 22-2261-6853 Fax: (91) 22-2261-4085

Email: jvnrao@yorktpt.com.sg

YTE *Leading*
Trailer Parts

YORK
SIMPLY MILES AHEAD