

LANDING GEAR

For Semi-Trailer

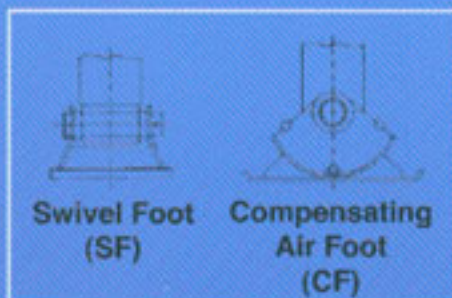
Product Features:

- Maintenance free
- 2 speed train gear box
- Low crank force
- Double tubing construction, with 130mm (5") upper housing
- Universal mounting plate
- Foot options to suit various applications

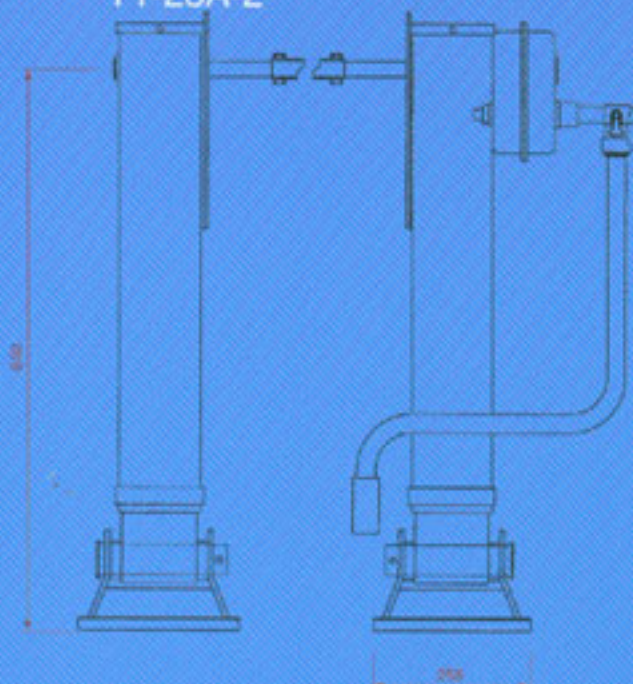
Technical Specifications

Model	YT-28A-2
Capacity	28,000 kg/pair
Static Load	64,000 kg/pair
Weight	~ 105 kg
Mounting	4 x 57 x 190 mm DIN Universal
Assembly Height	844 mm
Lift	480 mm
Gear Ratios:	
Low	0.72 mm/turn
High	5.42 mm/turn

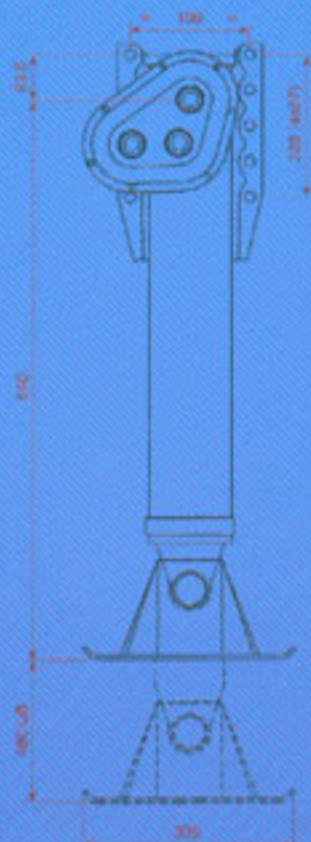
Foot Options:



YT-28A-2



(Dimensions shown in mm)

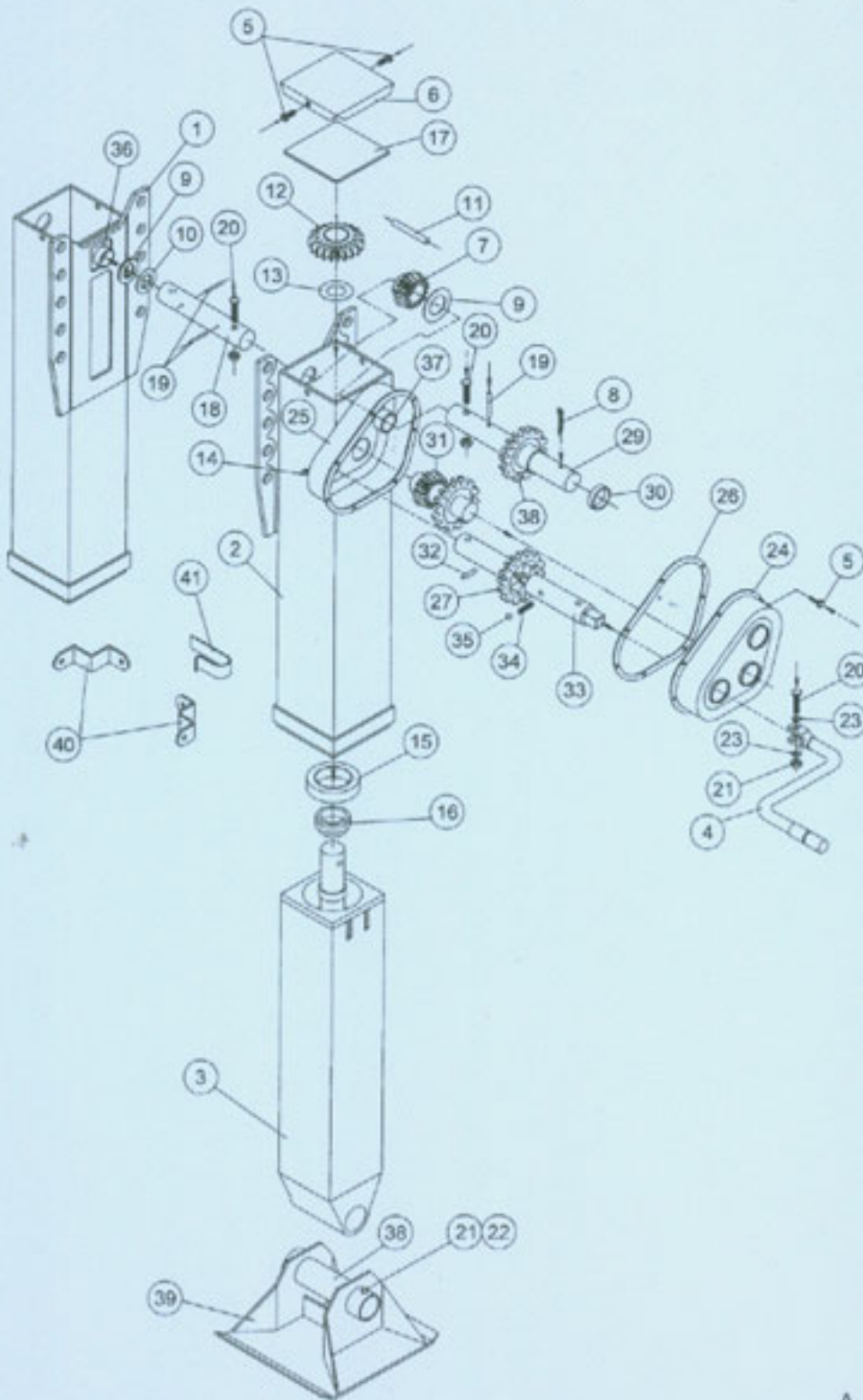


YORK Transport Equipment (Asia) Pte. Ltd.
No. 5 Tuas Avenue 6 Singapore 639295
Tel: 65 - 6861 0577 Fax: 65 - 6861 4045
Email: enquiry@yorktpl.com.sg
Website: www.yorktransport.com

YTE Special Products Pte Ltd
U.K. Office
5 Scott Close, Market Harborough,
Leicestershire LE18 7LN United Kingdom
Tel: 44 - 1858 434425 Fax: 44 - 1858 465125
Email: thp-extrasuk@btconnect.com

YORK policy is one of continuous development.
We therefore reserve the right to amend
specifications without notice or obligations.

YT-28A-2 Parts List



Item	Part No.	Description	Qty.
1	221001	Upper Housing (Ungear)	1
2	221002	Upper Housing (Geared)	1
3	221003	Retracting Tube Assembly	2
4 ^A	221004	Universal Crank	1
5	221005	Screw (Gear Box Cover)	11
6	221006	Cover	2
7 ^A	221007	Pinion Gear	2
8	221008	Pin	1
9	221009	Thrust Washer Bush	1
10	221010	Thrust Washer (Ungear)	1
11	221011	Groove Pin	2
12 ^A	221012	Bevel Gear	2
13	221013	Washer	2
14	221014	Grease Fitting	5
15	221015	Thrust Bearing	2
16	221016	Collar	2
17	221017	Cover Gasket	2
18	221018	Jack Shaft (Ungear)	1
19	221019	Roll Pin	3
20 ^A	221020	Bolt Crank & Cross Drive	3
21 ^{B,C}	221021	Self Locking Nut	5
22 ^C	221022	Hex. Heavy Duty Bolt	1
23 ^B	221023	Flat Washer	2
24	221024	Gear Box Half-Outside	1
25	221025	Gear Box Half-Inside	1
26	221026	Gasket	1
27 ^A	221027	Input Gear	1
28	221028	Output Gear	1
29	221029	Jack Shaft (Geared)	1
30	221030	Spacer Bushing	1
31 ^A	221031	Gear	1
32	221032	Groove Pin	1
33	221033	Shift Shaft	1
34	221034	Shift Lock Spring	1
35	221035	Shift Lock Ball	1
36	221036	Bushing	2
37	221037	Bushing	2
38 ^C	221038	Shoe Axle	2
39 ^C	221039	Shoe	2
40	221040	Strut Bracket	2
41	221041	Handle Hook	1
42 ^A	221042	Gear, Jack Shaft	1

- A. Gear Repair Kit, (P/No. YT-0011) includes
 (7) x 1, (12) x 1, (27) x 1, (31) x 1, (42) x 1.
- B. Handle/Crank Kit, (P/No. YT-0012) includes
 (4) x 1, (20) x 1, (21) x 1, (23) x 2.
- C. Shoe Kit, (P/No. YT-0013) includes
 (21) x 1, (22) x 1, (38) x 1, (39) x 1.