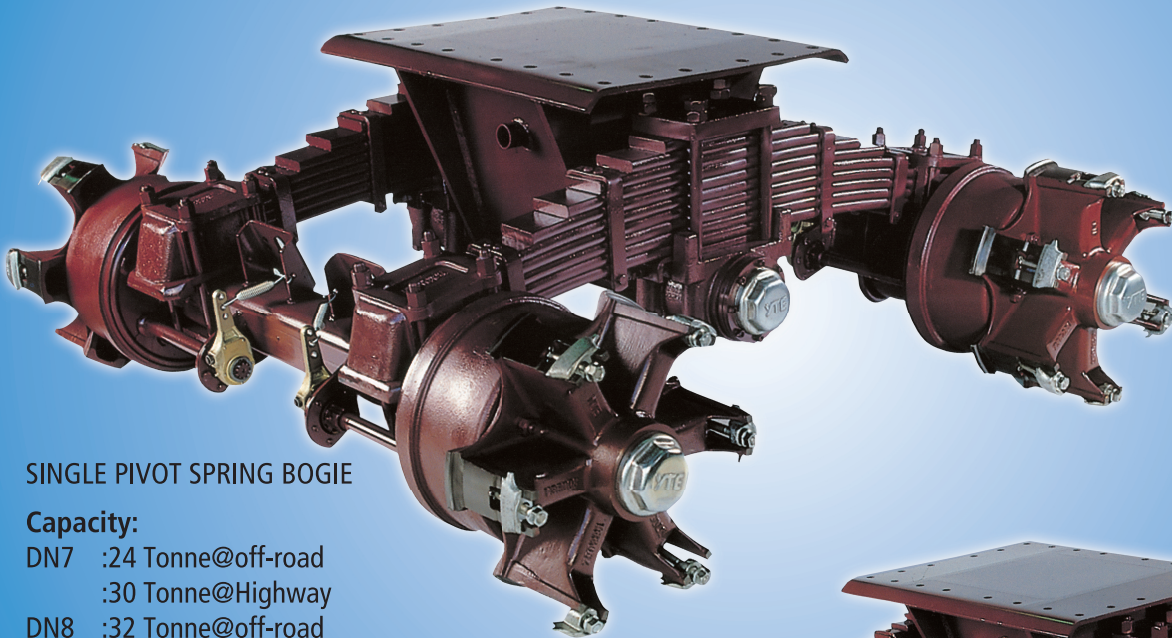


BOGIE DREADNOUGHT

- Single pivot on flexible spring
- Applicable for on/off highway operation
- Factory pre-assembled
- Proven reliability
- Less maintenance
- High mount and low mount
- Large diameter special nylon pivot bush



SINGLE PIVOT SPRING BOGIE

Capacity:

- DN7 :24 Tonne@off-road
:30 Tonne@Highway
DN8 :32 Tonne@off-road
:40 Tonne@Highway

Nylon Pivot Bush Diameter

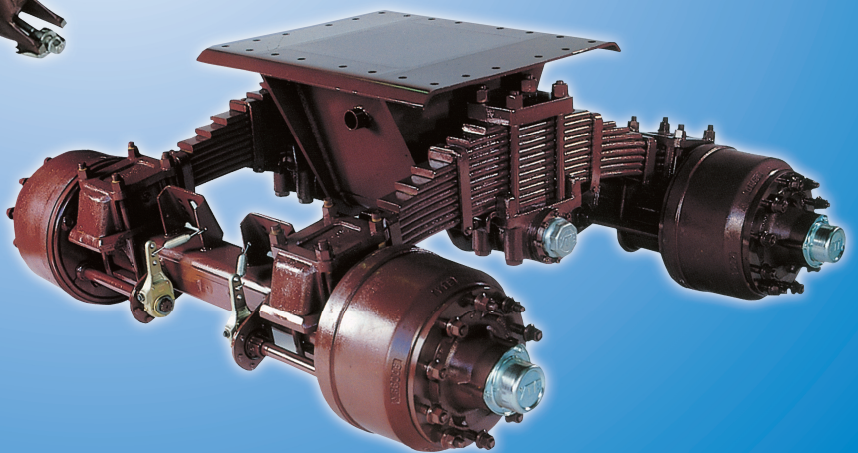
- DN7 :Diameter 101mm
DN8 :Diameter 140mm

Axle Beam Size:

- Round 127mm Diameter(DN7)
Round 152mm Diameter(DN8)
Square 152mm(DN7&DN8)

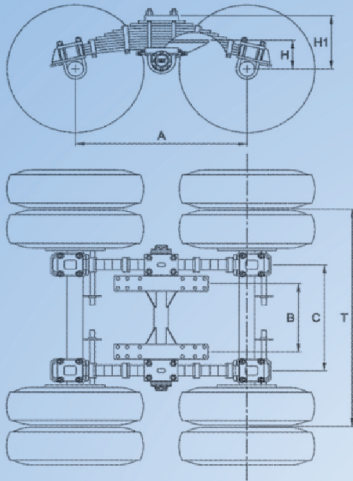
Axle Spacings:

- DN7 :1410mm
DN8 :1550mm



BOGIE DREADNOUGHT

Dreadnought 20 to 40 tonnes Tandem Bogie



DN7 Low Mount

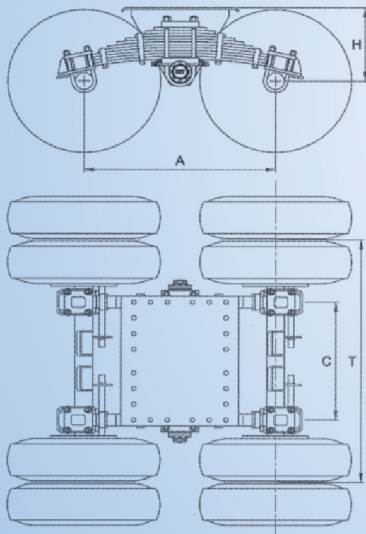
Axle Beam @ Axle Capacity	Capacity @ 80km/h (Highway)	Capacity @ 60km/h (Off Road)	Track (T) Spring (C) Stool (B)	Axle Spacing (A) Height (H) Height (H1)	Model Number
5" Round @ 12.0 Tonnes	24.0 Tonnes	20.0 Tonnes	1850/900/580	1430/245/510	DN7/MK2/0900
6" Square @ 12.0 Tonnes	24.0 Tonnes	20.0 Tonnes	1850/900/580	1410/265/530	DN7 S/MK2/0900
5" Round @ 15.0 Tonnes	30.0 Tonnes	24.0 Tonnes	1850/900/580	1430/245/510	DN7/MK2/0900
6" Square @ 16.0 Tonnes	30.0 Tonnes	24.0 Tonnes	1850/900/580	1410/265/530	DN7 S/MK2/0900

(Unladen)

DN8 Low Mount

Axle Beam @ Axle Capacity	Capacity @ 80km/h (Highway)	Capacity @ 60km/h (Off Road)	Track (T) Spring (C) Stool (B)	Axle Spacing (A) Height (H) Height (H1)	Model Number
6" Square @ 16.0 Tonnes	32.0 Tonnes	28.0 Tonnes	1850/880/490	1490/260/465	DN8 S/880
6" Round @ 17.5 Tonnes	35.0 Tonnes	32.0 Tonnes	1850/880/490	1490/260/468	DN8 /880
6" Round @ 20.0 Tonnes	40.0 Tonnes	32.0 Tonnes	1850/880/490	1490/260/468	DN8 /880

(Unladen)



DN7 High Mount

Axle Beam @ Axle Capacity	Capacity @ 80km/h (Highway)	Capacity @ 60km/h (Off Road)	Track (T) Spring (C) Stool (B)	Axle Spacing (A) Height (H) Height (H1)	Model Number
5" Round @ 12.0 Tonnes	24.0 Tonnes	20.0 Tonnes	1850/900	1370/560	DNH7 - Plus
6" Square @ 12.0 Tonnes	24.0 Tonnes	20.0 Tonnes	1850/880	1490/606	DNH7S - Plus
5" Square @ 15.0 Tonnes	30.0 Tonnes	24.0 Tonnes	1850/900	1370/560	DNH7 - Plus I

(Unladen)

DN8 High Mount

Axle Beam @ Axle Capacity	Capacity @ 80km/h (Highway)	Capacity @ 60km/h (Off Road)	Track (T) Spring (C) Stool (B)	Axle Spacing (A) Height (H) Height (H1)	Model Number
6" Square @ 16.0 Tonnes	32.0 Tonnes	28.0 Tonnes	1850-1950/880	1490/606	DNH8 S/MK2/0880
6" Round @ 17.5 Tonnes	35.0 Tonnes	32.0 Tonnes	1850-1950/880	1490/609	DNH8/MK2/0880
6" Round @ 20.0 Tonnes	40.0 Tonnes	32.0 Tonnes	1850-1950/880	1490/609	DNH8/MK2/0880

(Unladen)

Note: DN Bogies with LONGER than the Standard Track as Specified - Available on Request.

(HEAD OFFICE: SINGAPORE) YORK TRANSPORT EQUIPMENT (ASIA) PTE LTD
 122 Pioneer Road, Singapore 639583 Tel: (65) 6897 8525 Fax: (65) 6897 8231
 E-mail: enquiry@yorktpt.com.sg Website: www.yorktransport.com