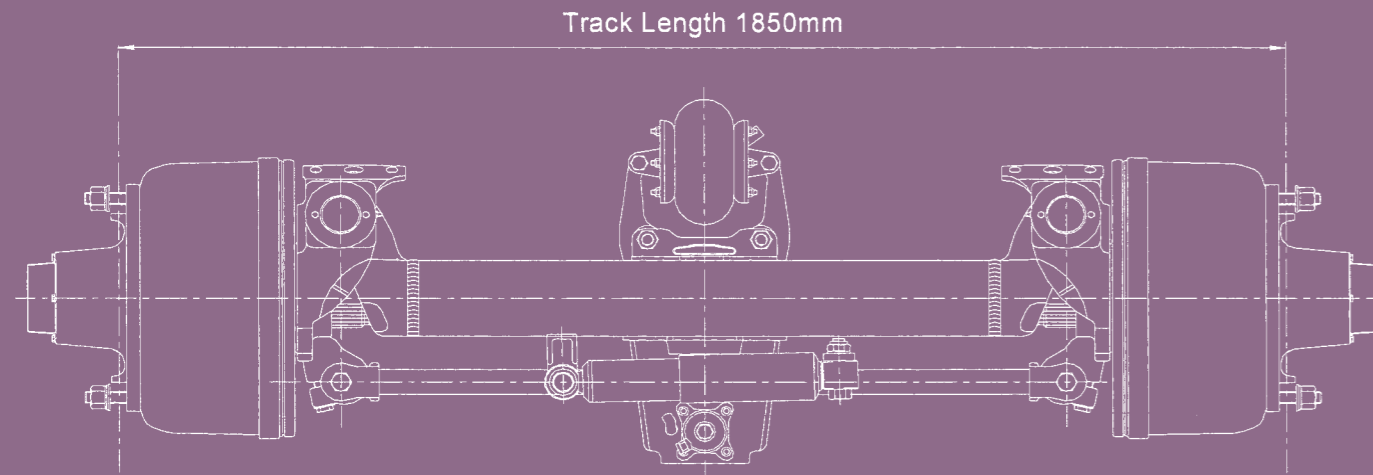


Self Steer Axle



Self Steer Axles - Drum Brake

| Capacity (Bearing & Beam Size) | Brake Size (mm) | Wheel Fixing | No. x Size of Wheel Stud x PCD (mm) | Brake Type | Wheel Bore Dia. (mm) | Minimum Wheel Size | Model Number | Axle Weights Approximated Kg |
|-------------------------------------|-----------------------|-----------------|---|---------------|----------------------------|-----------------------|-----------------|------------------------------------|
| 12.0 Tonnes (TM & Round 5"/25mm) | 420 x 180 | ISO | 10 x M22 x 335 | P | 281 | 20" / 22.5" | SS2081 | 525 |
| | 350 x 200 | | 8 x M22 x 275 | P | 221 | 19.5" | SS2082 | 512 |
| | 310 x 190 | | 10 x M22 x 225 | P | 176 | 15"/17.5" | SS2083 | 505 |

Self Steer Axles - Disc Brake

| Capacity (Bearing & Beam Size) | Brake Size (mm) | No. x Size of Wheel Stud x PCD (mm) | Wheel Bore Dia. (mm) | Minimum Wheel Size | Model Number | Axle Weights Approximated Kg |
|-------------------------------------|-----------------------|---|----------------------------|-----------------------|-----------------|------------------------------------|
| 12.0 Tonnes (TM & Round 5"/25mm) | ISO | 10 x M22 x 335 | 281 | 20" / 22.5" | SS2091 | 518 |

Product Features and options

| Tonnage | Shape | Size | Thickness | In Board | Out Board | Standard | Low Bed | Self Steer | Disc Brake |
|---------|----------------|---------|-----------|----------|-----------|----------|---------|------------|------------|
| 12T | Round/ Square | 5" | 16/19 mm | ✓ | ✓ | ✓ | ✓ | ✓ | ✓ |
| | | 6" | 14mm | ✓ | ✓ | ✓ | x | x | x |
| 13T | Square Rect | 6" | 14mm | ✓ | ✓ | ✓ | ✓ | x | x |
| | | 150x165 | 12mm | x | ✓ | ✓ | x | x | x |
| 15T | Round | 5" | 25 mm | ✓ | x | ✓ | ✓ | x | x |
| 16T | Square | 6" | 14 mm | ✓ | x | ✓ | x | x | x |
| 17.5T | Round | 6" | 32 mm | ✓ | x | ✓ | x | x | x |
| 25T | Rect | 150x210 | 14mm | ✓ | x | ✓ | x | x | x |

Options

| Option | Standard |
|----------------------------------|-----------------------|
| 1 ABS available as option. | No |
| 2 Auto Slack Adjuster as option. | Manual Slack Adjuster |
| 3 from 1500~2950 | Track Length 1850 |
| 4 Single wheel fixing | Twin Wheel fixing |

1 year or 100,000km warranty, whichever comes first

On axle end fixings, hub and conventional assemblies, drum brake, disc brake rotor (mechanical failure only), disc caliper assembly (excludes damage due to off-road usage), camshaft, camshaft bearings, cam rollers, brake anchor pins, hub cap, dust covers and screws, brake shoe, ABS sensor with bracket, brake retaining and return springs, oil and grease seals.

YORK policy is one of continuous development. We reserve the right to amend specifications without notice or obligation.

York contacts

Australia

13 Monterey Road, Dandenong Victoria 3175 Australia
T: +61 3 9790 2000
F: +61 3 9790 2020
C: Mr Phillip Craker
E: phillip.craker@yorktpt.com.sg

China

No. 5 workshop, Sino-German Eco-Park,
Tuanjie Road North, Huangdao District,
Qingdao, 266555
Shandong Province, China
T: +86 532 6687 2251
F: +86 532 6687 2259
C: Mr Leo Miao
E: leo.miao@yorktpt.com.cn

India

Gat No. 537 & 538
Bhadhalwadi, Navlakh Umbre,
Maval Pune 410507 India
T: +91 92 7220 0726
C: Mr Pankaj Shenoy
E: pankaj.shenoy@yorktpt.co.in
C: Mr Gurmukh Singh
E: gurmukh@yorktpt.co.in

Indonesia

C: Agung Pardianto
E: agung.p@yorktpt.com.sg
M: +62 812 1051085

Russia

C: Mr Sergiu Railean
E: sergiu.r@yorktpt.com.sg
M: +7 916 522 0891

Saudi Arabia

Dammam Saudi Arabia
T: +966 5 9694 0002
F: +966 1 3820 3390
C: Mr Mubarak Ahamed
E: mubarak.ahamed@yorktpt.com.sg

Singapore

Corporate & Marketing
122 Pioneer Road
Singapore 639583
T: +65 6897 8525
F: +65 6897 8231
C: Frederick Tay
E: tay.frederick@yorktpt.com.sg

South Africa

Unit 10, The Pines Micro Industrial
Units, 5 Coppel Street,
Alrode South 1450 South Africa
T: +27 82 376 4552
F: +27 71 889 7407
C: Mr Willem Brits
E: wbrits@yorktpt.com.sg
C: Mr Christo Els
E: Christian.els@yorktpt.com.sg

Thailand

2101 M. 1 Old Railway Road
Samrong Nua, Muang
Samutprakarn 10270 Thailand
T: +66 2 743 5091
F: +66 2 173 7300
C: Mr Albert van der Poel
E: albertvd@yorktpt.co.sg
C: Siam Tanon
E: siamyork@ksc.th.com
M: +668 16516864

Turkey

KÜÇÜKBAKALKÖY MAH.
DUDULLU CADDESİ
BRANDIUM R4 BLOK DAIRE: 178
34750 ATAŞEHİR-İSTANBUL
T: +90 216 504 0823
F: +66 216 504 0825
C: Mr Nefi Varol Tarman
E: nefi.vt@yorktpt.com.sg

United Kingdom

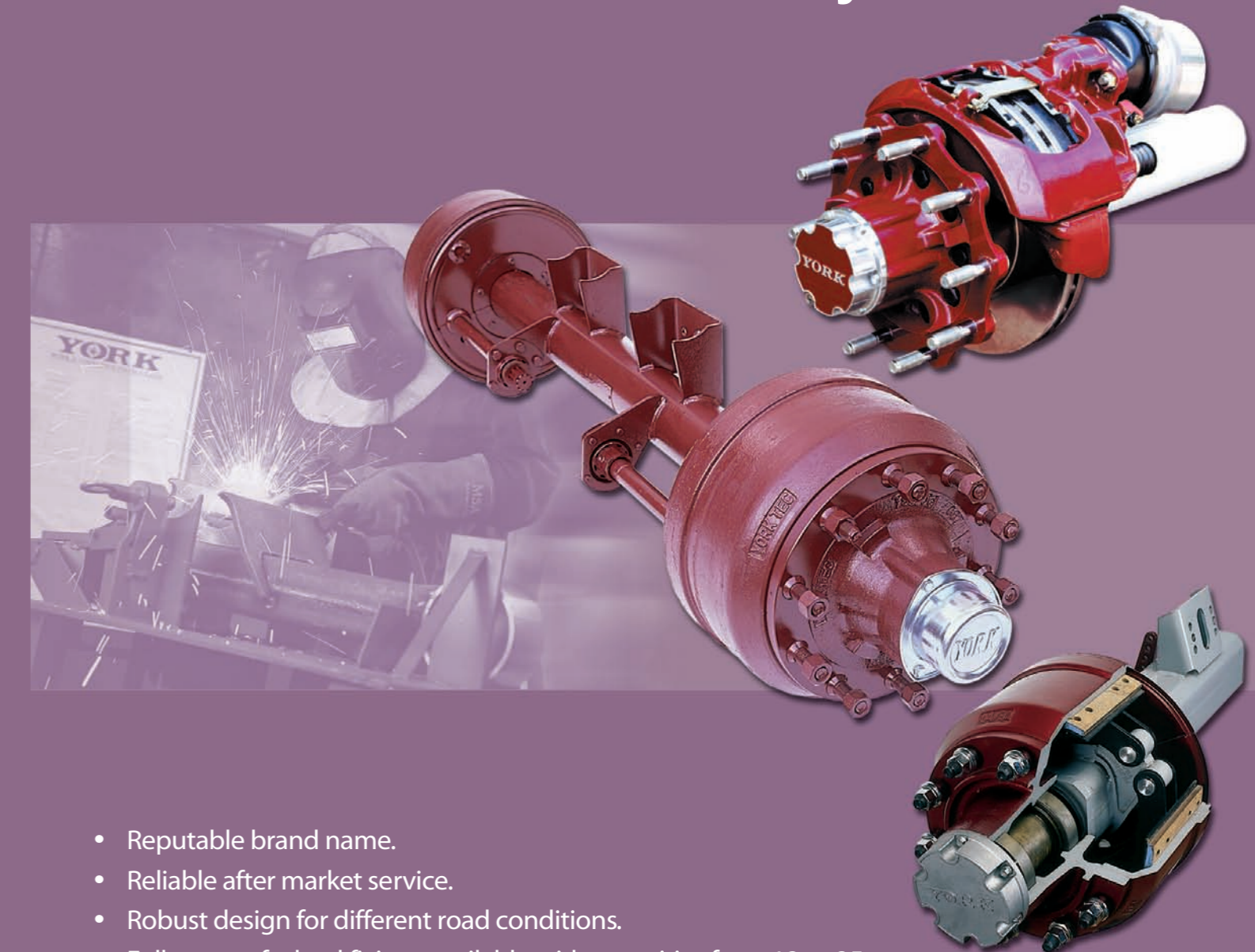
(Middle East & African Markets)
5 Scott Close Market Harborough
Leicestershire LE16 7LN
United Kingdom
T: +44 1858 434 425
F: +44 1858 465 125
C: Mr Tony Partridge
E: thp-extraxuk@btconnect.com

United Arab Emirates

Tata West Asia FZE, P O BOX NO
16980, ZB07, R/A08
Blue Shed Area, Jebel Ali Fze,
Dubai, UAE
C: Murali Krishnanunni
E: murali.m@yorktpt.com.sg
M: +971 564 426 163

Axles

**Cost Effective Solution, Safety
and Reliability**



- Reputable brand name.
- Reliable after market service.
- Robust design for different road conditions.
- Full range of wheel fixings available with capacities from 12 to 25 tonnes.
- Foundation Brake approved to ECE Standard, certified by RWTUV & compliance to ADR38.

Website: www.yorktransport.com

YTE *Leading*
Trailer Parts

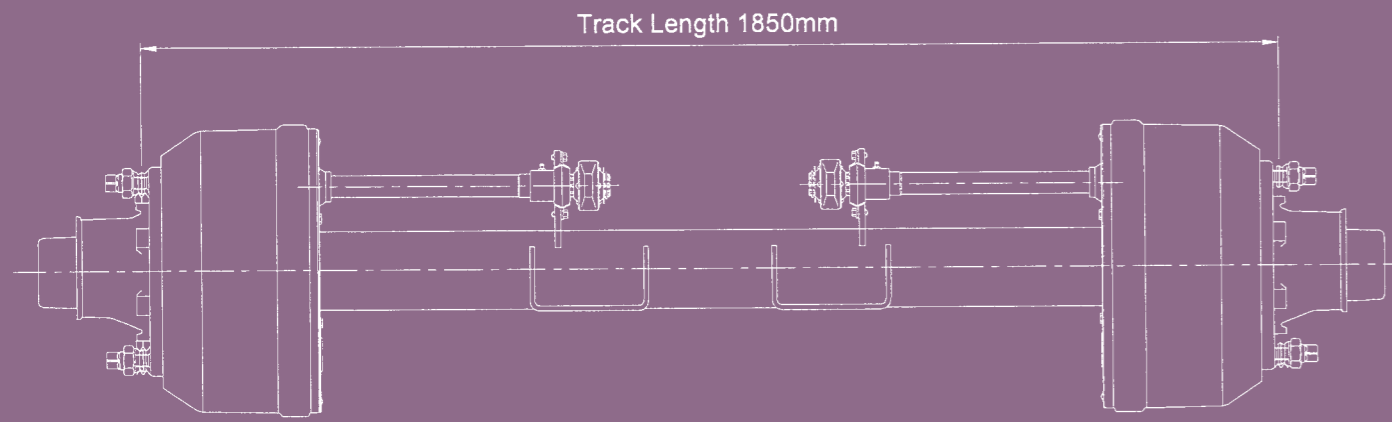
YORK
SIMPLY MILES AHEAD

YTE *Leading*
Trailer Parts



YORK
SIMPLY MILES AHEAD

Standard Axle



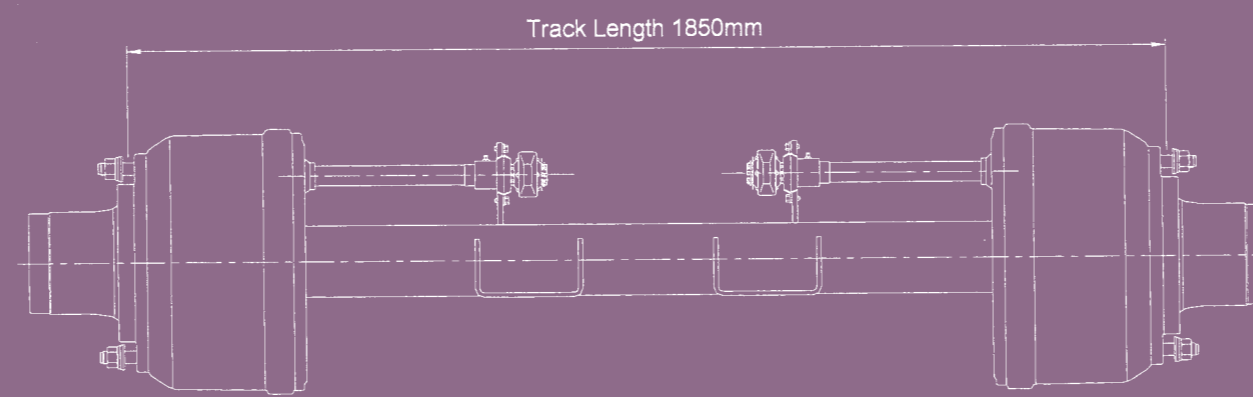
Standard Axles (12.0 - 13.0 Tonnes Capacity) with In-board Brake Drum

| Capacity (Bearing & Beam Size) | Brake Size (mm) | Wheel Fixing | No. x Size of Wheel Stud x PCD (mm) | Brake Type | Wheel Bore Dia. (mm) | Minimum Wheel Size | Model Number | Axle Weights Approximated Kg |
|-----------------------------------|-----------------|----------------|-------------------------------------|------------|----------------------|--------------------|--------------|------------------------------|
| 12.0 Tonnes (TM & Round 5"/16mm) | 420 x 180 | ISO | 10 x M22 x 335 | P | 281 | 20" / 22.5" | 2021 | 335 |
| | | JAP | 8 x M20 x 285 | | | | 2011 | 330 |
| | ISO | 10 x M22 x 335 | 2022 | | | | 382 | |
| | JAP | 8 x M20 x 285 | 2012 | | | | 378 | |
| 12.0 Tonnes (TM & Square 6"/14mm) | 420 x 180 | ISO | 10 x M22 x 335 | P | 281 | 20" / 22.5" | 5021 | 351 |
| | | | 10xM22x335 (Coarse) | | | | NEW 5021G* | 350 |
| | | JAP | 8 x M20 x 285 | | | | 5023 | 350 |
| | 420 x 220 | ISO | 10 x M22 x 335 | | | | 5015 | 354 |
| | | JAP | 8 x M20 x 285 | | | | 5022 | 380 |
| | | JAP | 8 x M20 x 285 | | | | 5002 | 376 |
| 13.0 Tonnes (TM & Square 6"/14mm) | 420 x 180 | ISO | 10 x M22 x 335 | P | 281 | 20" / 22.5" | 6021 | 351 |
| | 420 x 220 | | | | | | 6022 | 376 |
| 13.0 Tonnes (TP & Square 6"/14mm) | 420 X 220 | ISO | 10 x M22 x 335 | P | 281 | 20" / 22.5" | NEW 5032 | 393 |

Standard Axles (11 - 13 Tonnes Capacity) with Out-board Brake Drum.

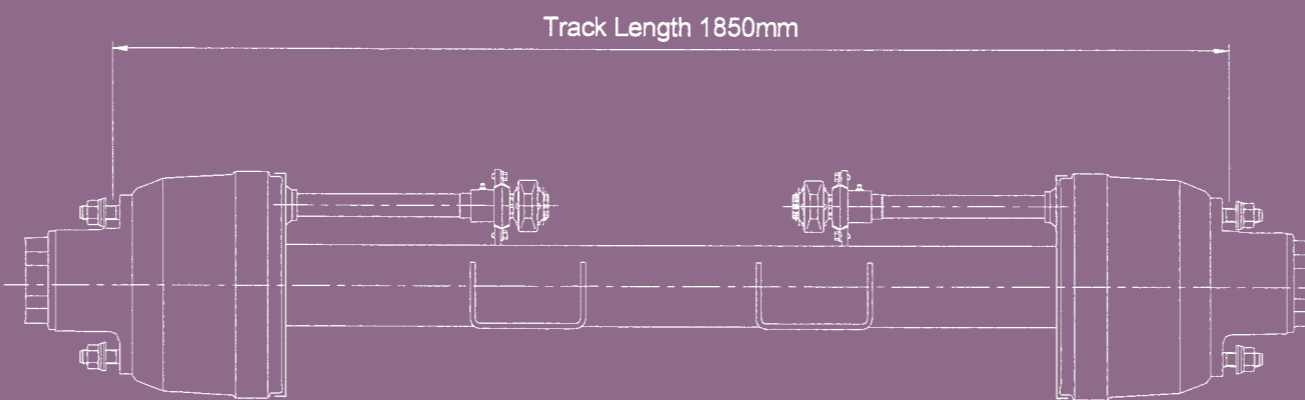
| Capacity (Bearing & Beam Size) | Brake Size (mm) | Wheel Fixing | No. x Size of Wheel Stud x PCD (mm) | Brake Type | Wheel Bore Dia. (mm) | Minimum Wheel Size | Model Number | Axle Weights Approximated Kg |
|---------------------------------------|-----------------|--------------|-------------------------------------|------------|----------------------|--------------------|------------------------|------------------------------|
| 11.0 Tonnes (TN & Round 5"/16mm) | 335 x 210 | ISO | 8 x M22 x 275 | P | 221 | 19.5" | 2950/7 | 306 |
| | 335 x 210 | JAP | 8 x M22 x 285 | | 221 | 19.5" | 2950/5 | 306 |
| 12.0 Tonnes (TM & Round 5"/16mm) | 420 x 180 | ISO | 10 x M22 x 335 | P | 281 | 20" / 22.5" | 2041 | 335 |
| | | | | | | 20" | 2625 (Coarse Thread) | 325 |
| 12.0 Tonnes (TM & Square 6"/14mm) | 420 x 180 | ISO | 10 x M22 x 335 | P | 281 | 20" | 2626 (Fine Thread) | 325 |
| | | | | | | | 5625 (Coarse Thread) | 345 |
| | | | | | | | 5626 (Fine Thread) | 345 |
| | | | | | | | 5620 (Coarse Thread) | 366 |
| | | | | | | | 5621 (Fine Thread) | 366 |
| | | | | | | | 5627 | 345 |
| 12 Tonnes (TN & Round 5"/16mm) | 420 x 180 | ISO | 10 x M22 x 285.75 | Q | 220 | 20" / 22.5" | 78792157 /R/ELS | 332 |
| | | | 2782/2 | | | | 332 | |
| | | | 10 x M22 x 335 | | | | 78792159 /R/ELS | 335 |
| | | | 2782/3 | | | | 335 | |
| 12 Tonnes (TP & Round 5"/16mm) | 420 x 180 | ISO | 10 x M22 x 285.75 | Q | 220 | 20" / 22.5" | 2782/3 /R/ELS | 345 |
| | | | 10 x M22 x 335 | | | | Q | 281 |
| | | | | | | | **2621 | 360 |
| 12 Tonnes (TP & Round 5"/19mm) | 420 x 180 | ISO | 10 x M22 x 335 | Q | 281 | 20" / 22.5" | 2682/3A | 360 |
| 13 Tonnes (TP & Round 5"/19mm) | 420 x 180 | ISO | 10 x M22 x 285.75 | Q | 220 | 20" / 22.5" | 2682/2 | 360 |
| 13 Tonnes (TP 150 x 165 / 12mm) | 420 x 180 | ISO | 10 x M22 x 335 | Q | 281 | 20" / 22.5" | **7630 (Fine Thread) | 330 |
| | | | | | | | **7631 (Coarse Thread) | 330 |
| 11 Tonnes (MFL) (THU 7 Round 5"/16mm) | 420 x 180 | ISO | 10 x M22 x 285.75 | Q | 220 | 20" / 22.5" | 2582 | 353 |
| | | | 10 x M22 x 335 | | | | Q | 281 |

Heavy Duty Axle



Heavy Duty Axles (14.0 - 25.0 Tonnes Capacity) with In-board Brake Drum.

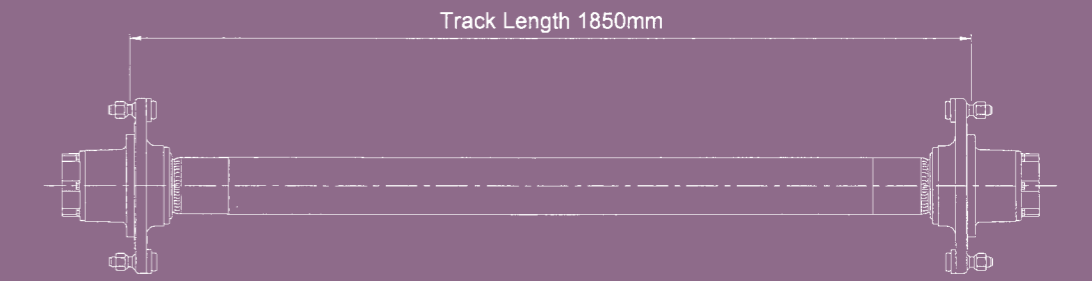
| Capacity (Bearing & Beam Size) | Brake Size (mm) | Wheel Fixing | No. x Size of Wheel Stud x PCD (mm) | Brake Type | Wheel Bore Dia. (mm) | Minimum Wheel Size | Model Number | Axle Weights Approximated Kg |
|--|-----------------|--------------|-------------------------------------|------------|----------------------|--------------------|--------------|------------------------------|
| 14.0 Tonnes (TQ & Square 6"/14mm) | 420x180 | ISO | 10xM22x335(Coarse) | P | 281 | 20" | 5811 | 385 |
| | | | 10xM22x335 (Fine) | | | | NEW 5812 | 385 |
| 15.0 Tonnes (TQ & Round 5"/25mm) | 420 x 220 | ISO | 10 x M24 x 335 | P | 281 | 20" / 22.5" | 8002G | 400 |
| 16.0 Tonnes (TQ & Square 6"/14mm) | 420 x 220 | ISO | 10 x M24 x 335 | P | 281 | 20" / 22.5" | 5801G | 410 |
| 17.5 Tonnes (TQ & Round 6"/32mm) | 420 x 220 | ISO | 10 x M24 x 335 | P | 281 | 20" / 22.5" | 8021 | 468 |
| 18.5 Tonnes (TQ & Rectangular 150 x 176mm) | 420 x 220 | ISO | 10 x M24 x 335 | P | 281 | 20" / 22.5" / 24" | 5809 | 521 |
| 25.0 Tonnes (TP 150 x 210 / 14mm) | 420 x 220 | ISO | 10 x M27 x 335 | Q | 281 | 25" | NEW 7689 | 530 |



Low Bed Axles (8.0 - 15.0 Tonnes Capacity) With In-board drum.

| Capacity (Bearing & Beam Size) | Brake Size (mm) | Wheel Fixing | No. x Size of Wheel Stud x PCD (mm) | Brake Type | Wheel Bore Dia. (mm) | Minimum Wheel Size | Model Number | Axle Weights Approximated Kg |
|----------------------------------|-----------------|--------------|-------------------------------------|------------|----------------------|--------------------|--------------|------------------------------|
| 8.0 Tonnes (TN & Round 5"/16mm) | 311 x 127 | ISO | 10 x M22 x 225 | P | 176 | 15" | 2954/10 | 315 |
| | | ISO | 10 x M22 x 225 | P | 176 | 15" / 17.5" | 2783/10 | 315 |
| 10.0 Tonnes (TN & Round 5"/16mm) | 311 x 178 | ISO | 10 x M22 x 225 | P | 176 | 17.5" | 2950/10 | 330 |
| | | ISO | 10 x M22 x 225 | P | 176 | 15" / 17.5" | 9501 | 315 |
| 12.0 Tonnes (TM & Round 5"/16mm) | 311 x 178 | ISO | 10 x M22 x 225 | P | 176 | 15" / 17.5" | 9511 | 315 |
| 13.0 Tonnes (TM & Round 5"/19mm) | 311 X 178 | ISO | 10 x M22 x 225 | P | 176 | 15" / 17.5" | 9508 | 365 |
| | | | | | 176 | 17.5" | 9504 | 380 |

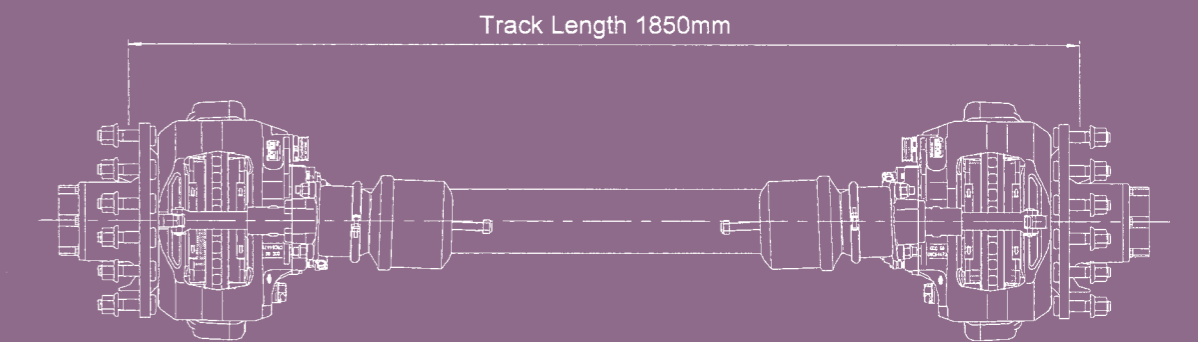
Unbraked Axle



Unbraked Axles (12 -18 ton capacity)

| Capacity (Bearing & Beam Size) | Wheel Fixing | No. x Size of Wheel Stud x PCD (mm) | Wheel Bore Dia. (mm) | Minimum Wheel Size | Model Number | Axle Weights Approximated Kg |
|-----------------------------------|--------------|-------------------------------------|----------------------|--------------------|--------------|------------------------------|
| 12.0 Tonnes (TM & Round 5"/16mm) | ISO | 10 x M22 x 335 | 281 | 20" | 2021U | 175 |
| | JAP | 8 x M20 x 285 | 221 | | 2011U | 165 |
| | ISO | 10 x M22 x 225 | 178 | 15" | 9501U | 152 |
| 12.0 Tonnes (TM & Square 6"/14mm) | ISO | 10 x M22 x 335 | 281 | 20" | 5021U | 203 |
| 15.0 Tonnes (TQ & Round 5"/25mm) | ISO | 10 x M22 x 335 | 281 | 20" | 8002U | 223 |
| 16.0 Tonnes (TQ & Square 6"/14mm) | ISO | 10 x M22 x 335 | 281 | 20" | 5801U | 152 |
| 17.5 Tonnes (TQ & Round 6"/32mm) | ISO | 10 x M24 x 335 | 281 | 20" | 8021U | 210 |

Disc Brake Axle



Disc Brake Axles (10-12 Tonnes Capacity)

| Capacity (Bearing & Beam Size) | Rotor Size (mm) | Wheel Fixing | No. x Size of Wheel Stud x PCD (mm) | Wheel Bore Dia. (mm) | Minimum Wheel Size | Model Number | Axle Weights Approximated Kg |
|----------------------------------|-----------------|--------------|-------------------------------------|----------------------|--------------------|--------------|------------------------------|
| 10.0 Tonnes (TN & Round 5"/16mm) | Ø375 | ISO | 10 x M22 x 335 | 281 | 20" / 22.5" | 2980/3 | 320 |
| | | | 10 x M22 x 285.75 | 220 | | 2980/2 | 315 |
| | | | 8 x M22 x 275 | 221 | 19.5" | 2980/7 | 315 |
| 11.0 Tonnes (TN & Round 5"/16mm) | Ø430 | ISO | 10 x M22 x 335 | 281 | 20" / 22.5" | 2970/3 | 320 |
| | | | 10 x M22 x 285.75 | 220 | | 2970/2 | 315 |
| 11.0 Tonnes (TN & Round 5"/16mm) | Ø430 | ISO | 10 x M22 x 285.75 | 220 | 20" / 22.5" | 2570 | 350 |
| | | | 10 x M22 x 335 | 281 | | 2571 | 355 |
| 12.0 Tonnes (TN & Round 5"/16mm) | Ø430 | ISO | 10 x M22 x 335 | 281 | 20" / 22.5" | 2928 | 342 |