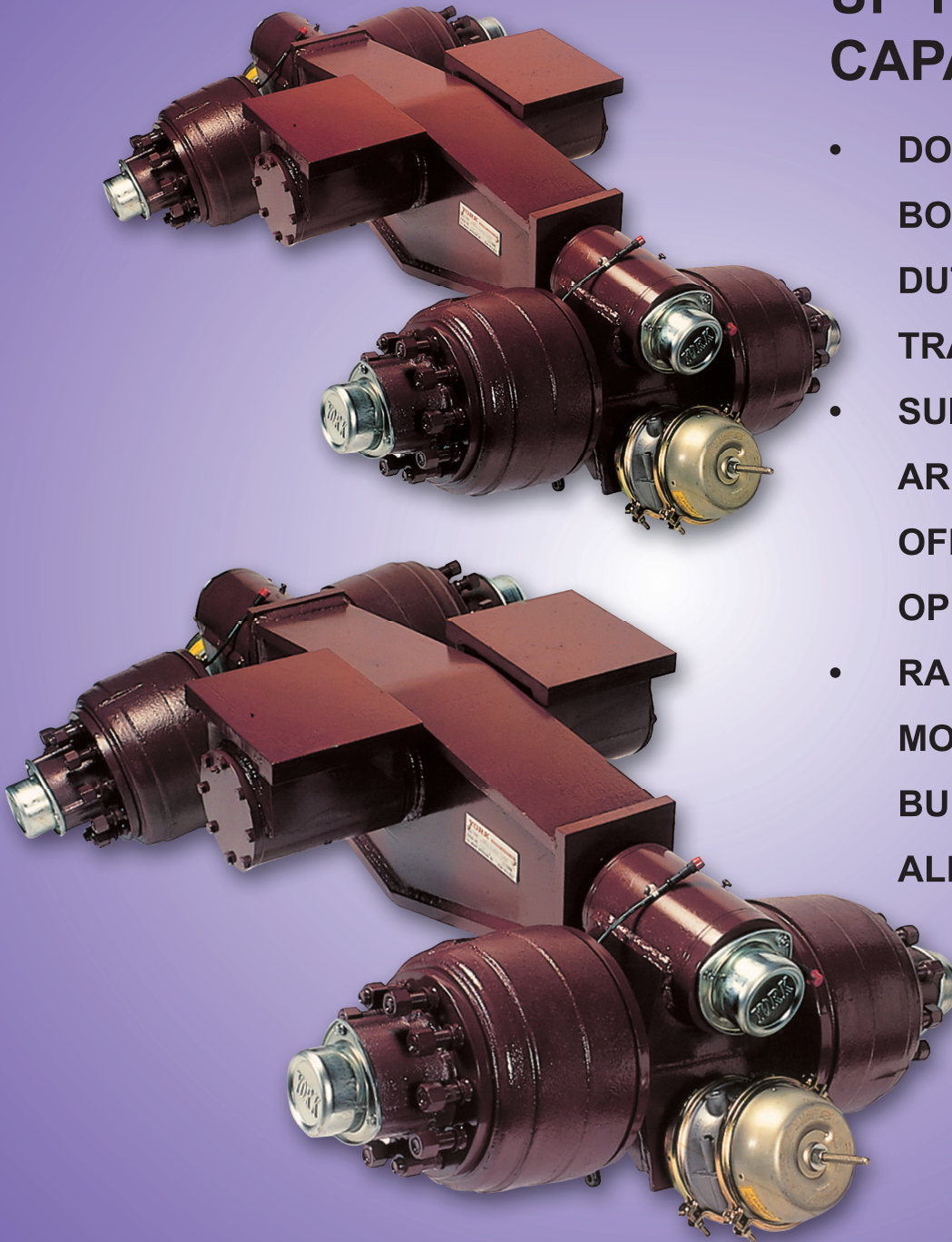


ARGONAUT

Heavy Duty Walking Beam Suspension

**UP TO 100 TONES
CAPACITY**

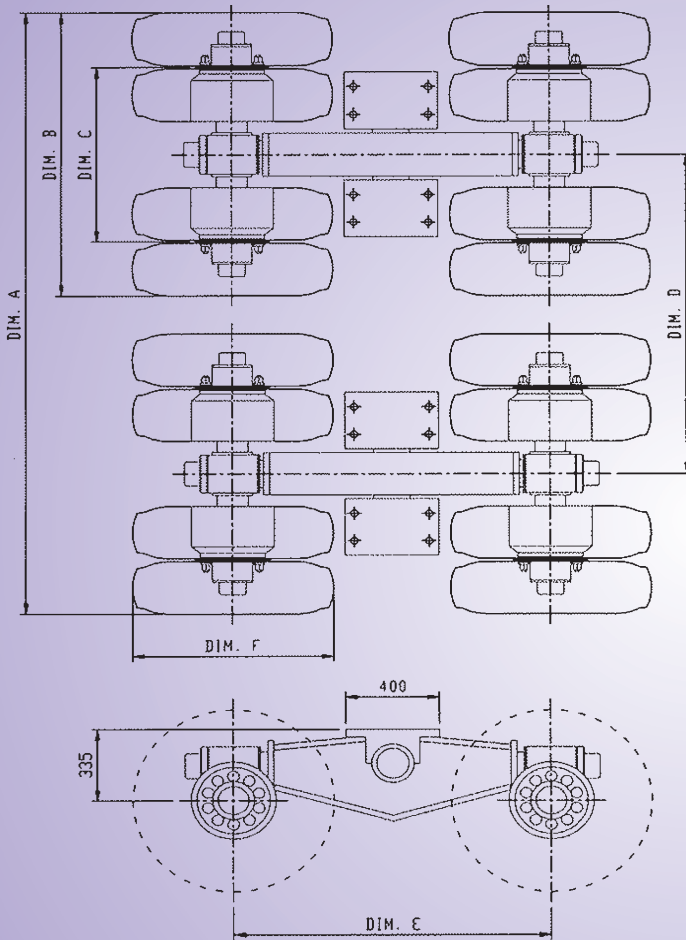
- **DOUBLE OSILLATING BOGIES FOR HEAVY DUTY LOWBED TRAILERS**
- **SUITABLE FOR ARDUOUS OFF-HIGHWAY OPERATION**
- **RANGE OF STANDARD MODELS & PURPOSE BUILT UNITS TO SUIT ALL APPLICATIONS**



ARGONAUT

Argonaut Bogies AGB - Over and Underslung assemblies

Tyre size		Wheel Fitting No. Stud x PCD	Capacity Tonnes @ 20km/h	Capacity Tonnes @ 40km/h	Model Number	Approximated Weight - Kg
Twin	8.25R15	ISO 10 x 225	60	46	AGB-80/15/MK2	780
	10.00R15		70	52		
	10.00R20	ISO 10 x 335	70	52	AGB-80/20/MK2	880
	12.00R20		78	60		
Single	12.00R24	ISO 10 x 335	85	65	AGB-100/20MK2	1170
	24.00R21		85	65		
	24.00R20.5		85	65		



AGB - 80 / 15

Tyre :	8.25 x 15	10.00 x 15
DIM. A	2820	3000
DIM. B	1320	1410
DIM. C	815	815
DIM. D	1500	1590
DIM. E	1362	1362
DIM. F	850 Ref.	935 Ref.

AGB - 80 / 20

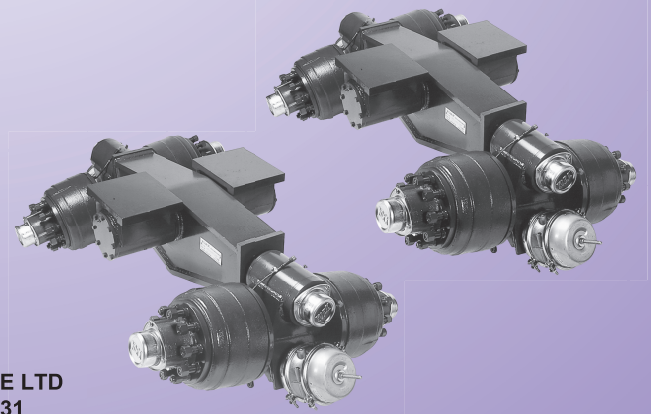
Tyre :	10.00 x 20
DIM. A	3210
DIM. B	1510
DIM. C	890
DIM. D	1700
DIM. E	1362
DIM. F	1080 Ref.

AGB - 100 / 20

Tyre :	11.00 x 20	12.00 x 20
DIM. A	3405	3512
DIM. B	1605	1662
DIM. C	965	965
DIM. D	1800	1890
DIM. E	1562	1562
DIM. F	1110 Ref.	1154 Ref.

Notes:

1. Please contact York for detailed General Arrangement drawings.
2. All wheel fittings are ISO with M22 wheel stud. / M24 is optional for AGB-100.
3. Other Tyre Sizes and Axle centers is available on request. (E)



(HEAD OFFICE: SINGAPORE) YORK TRANSPORT EQUIPMENT (ASIA) PTE LTD
 122 Pioneer Road, Singapore 639583 Tel: (65) 6897 8525 Fax: (65) 6897 8231
 E-mail: enquiry@yorktpt.com.sg Website: www.yorktransport.com